

6

5

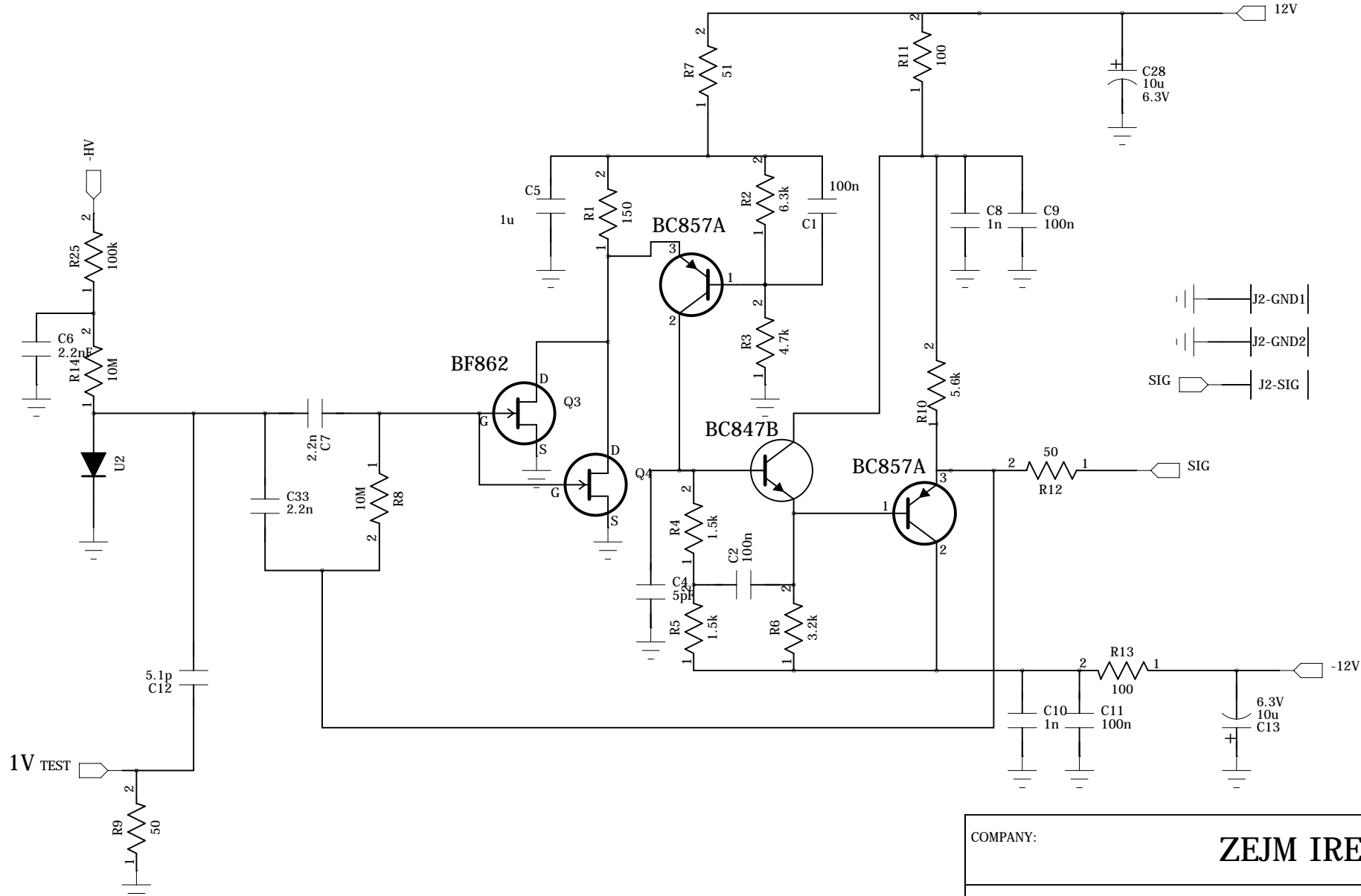
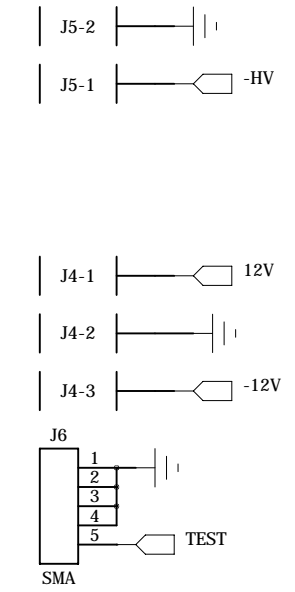
4

3

2

1

REVISION RECORD			
LTR	ECO NO:	APPROVED:	DATE:



COMPANY:				ZEJM IRE PW			
TITLE:				MAPD PreAmp ver 3			
DRAWN:	DATED:	CODE:	SIZE:	DRAWING NO:		REV:	
Andrzej Rychter	7.02.2013	<Code>	B				
CHECKED:	DATED:	SCALE: <Scale>		SHEET: 1 of 1			
<Checked By>	<Checked Date>						
QUALITY CONTROL:	DATED:						
<QC By>	<QC Date>						
RELEASED:	DATED:						
<Released By>	<Release Date>						

D

C

B

A

D

C

B

A