

6

5

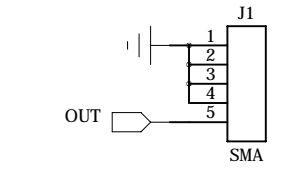
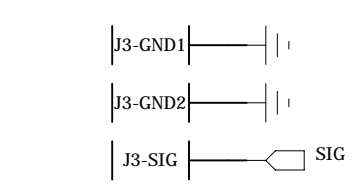
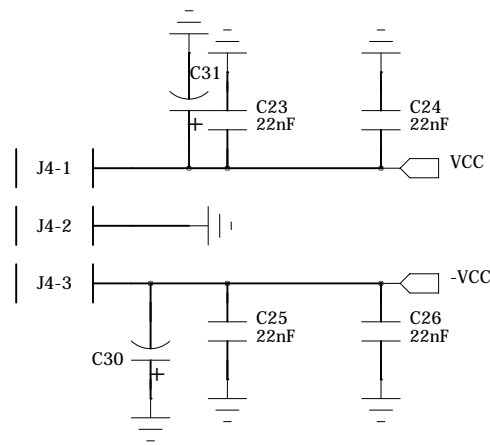
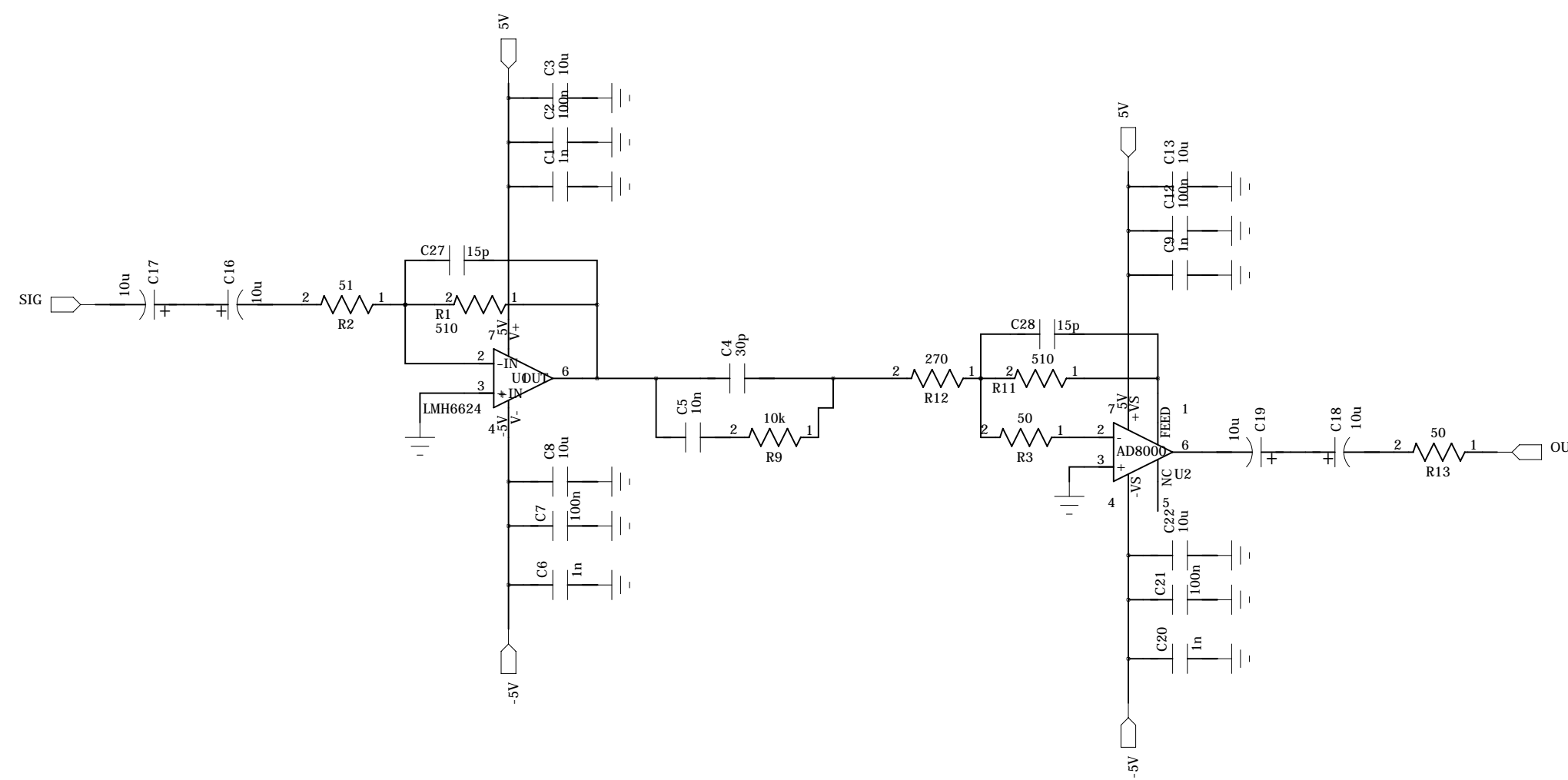
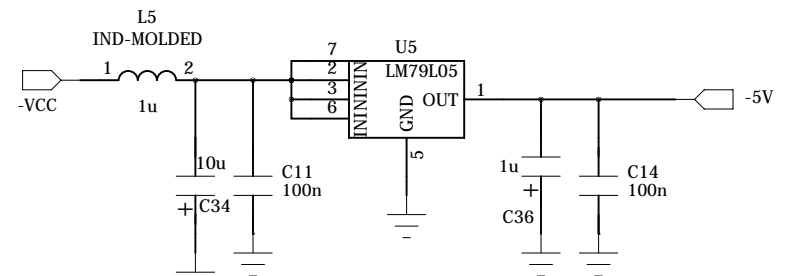
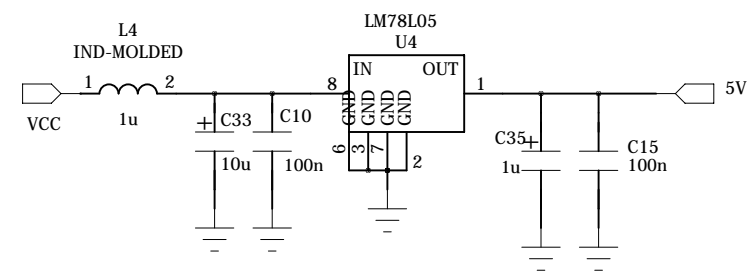
4

3

2

1

REVISION RECORD			
LTR	ECO NO:	APPROVED:	DATE:



COMPANY: **ZEJM IRE PW**

TITLE: **MAPD Amplifier ver 3**

DRAWN: Andrzej Rychter	DATED: 7.02.2013
CHECKED: <Checked By>	DATED: <Checked Date>
QUALITY CONTROL: <QC By>	DATED: <QC Date>
RELEASED: <Released By>	DATED: <Release Date>

CODE: <b>&lt;Code&gt;</b>	SIZE: <b>B</b>	DRAWING NO:	REV:
SCALE: <Scale>		SHEET: 1 of 1	

D

D

C

C

B

B

A

A