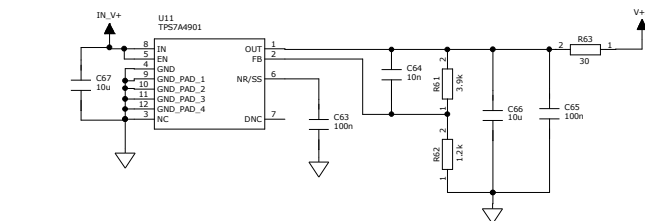
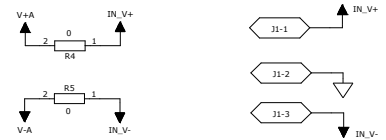
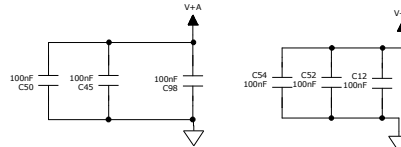
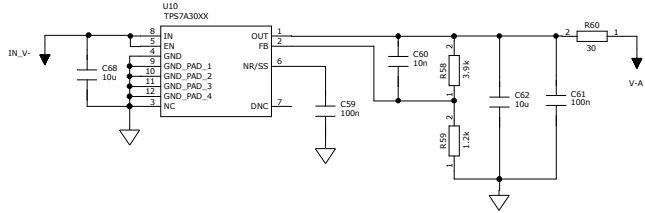
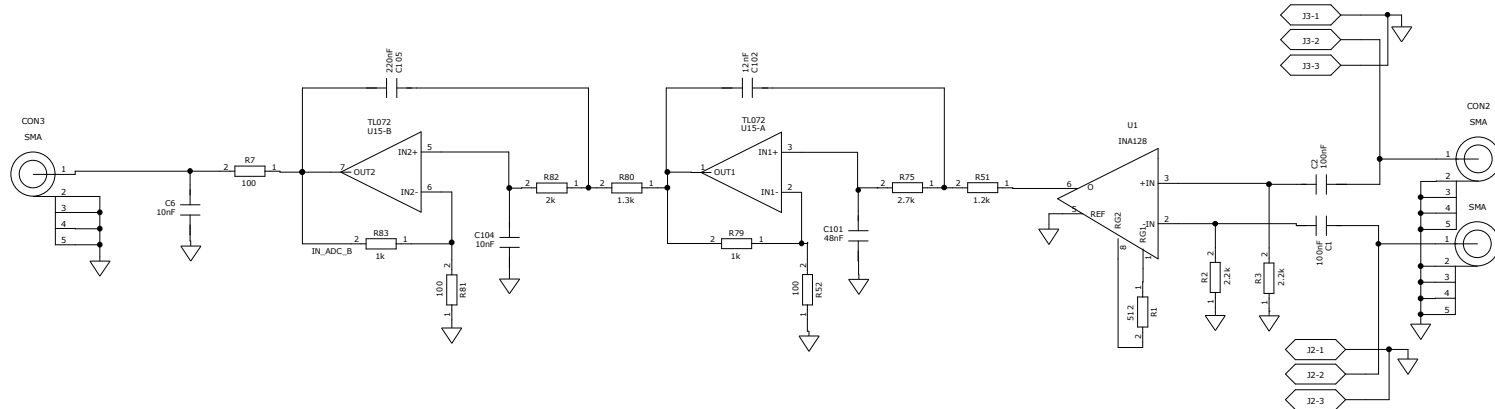


REVISION RECORD			
LTR	ECO NO:	APPROVED:	DATE:



COMPANY: M. Suchenek				
TITLE:				
DRAWN:	DATED: 19.07.2009	CODE:	SIZE:	DRAWING NO:
CHECKED:	DATED:	C	REV:	SHEET: 1
QUALITY CONTROL:	DATED:			
RELEASED:	DATED:			

SCALE:	SHEET: 1
--------	----------