

6

5

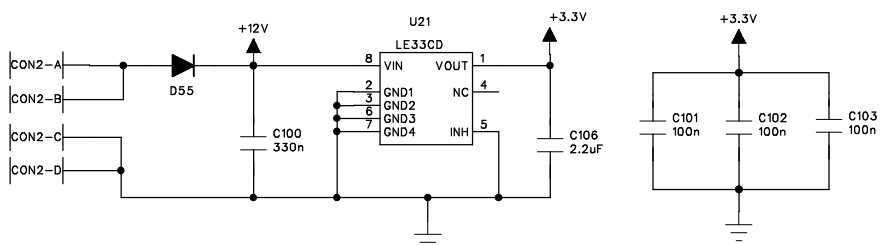
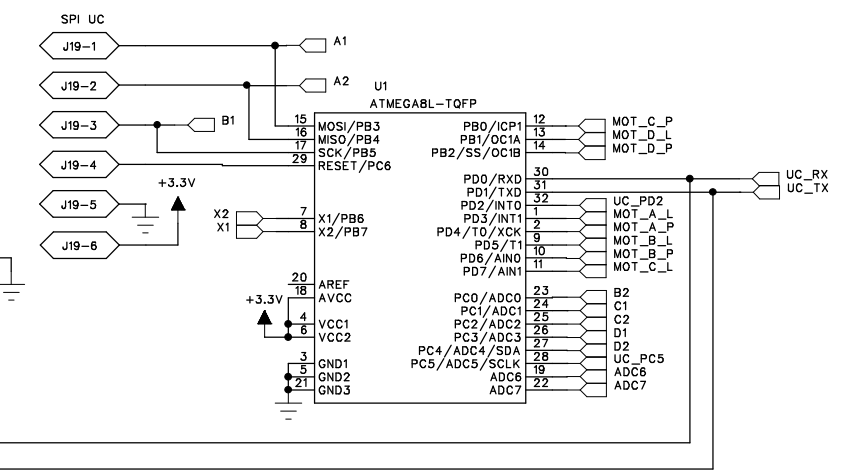
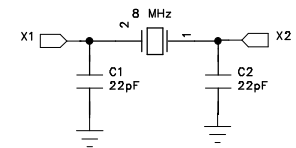
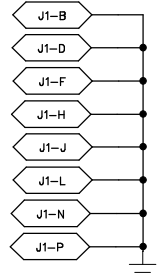
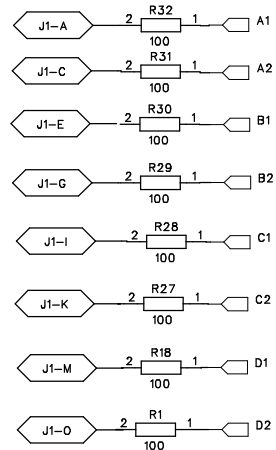
4

3

2

1

| REVISION RECORD |         |           |       |
|-----------------|---------|-----------|-------|
| LTR             | ECO NO: | APPROVED: | DATE: |
|                 |         |           |       |
|                 |         |           |       |
|                 |         |           |       |



|                      |         |               |      |
|----------------------|---------|---------------|------|
| COMPANY: M. Suchenek |         |               |      |
| TITLE:               |         |               |      |
| CODE:                | SIZE: B | DRAWING NO:   | REV: |
| SCALE:               |         | SHEET: 1 of 3 |      |

|                  |        |
|------------------|--------|
| DRAWN:           | DATED: |
| CHECKED:         | DATED: |
| QUALITY CONTROL: | DATED: |
| RELEASED:        | DATED: |

D

D

C

C

B

B

A

A

6

5

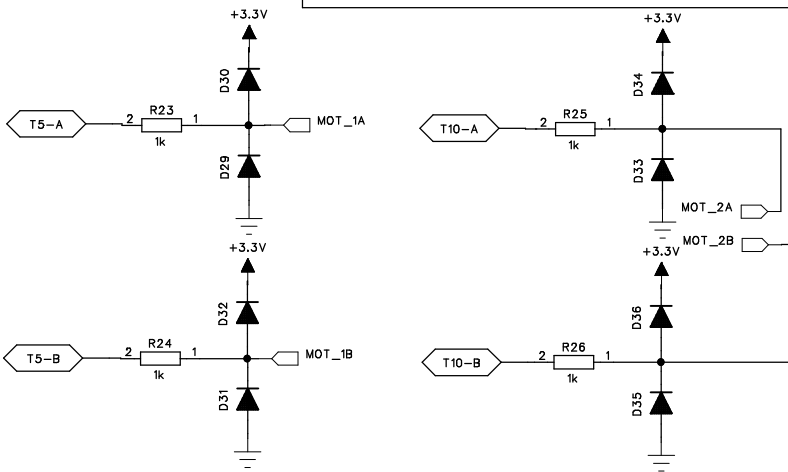
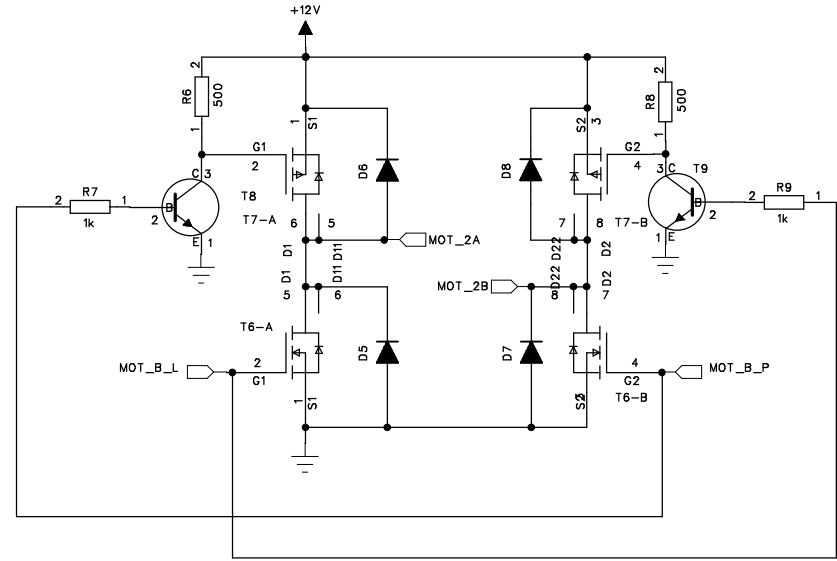
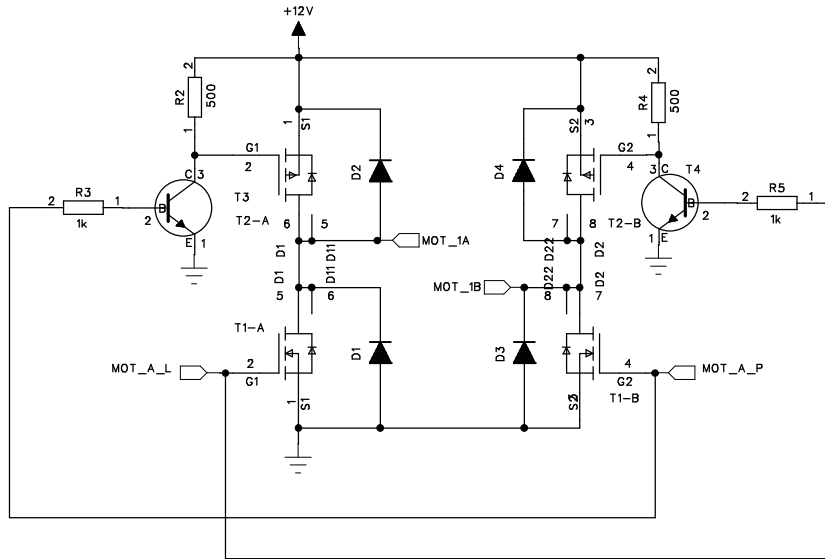
4

3

2

1

| REVISION RECORD |         |           |       |
|-----------------|---------|-----------|-------|
| LTR             | ECO NO: | APPROVED: | DATE: |
|                 |         |           |       |
|                 |         |           |       |
|                 |         |           |       |



|                  |  |        |  |             |  |       |             |               |      |
|------------------|--|--------|--|-------------|--|-------|-------------|---------------|------|
| COMPANY:         |  |        |  | M. Suchenek |  |       |             |               |      |
| TITLE:           |  |        |  |             |  |       |             |               |      |
| DRAWN:           |  | DATED: |  | CODE:       |  | SIZE: | DRAWING NO: |               | REV: |
| CHECKED:         |  | DATED: |  | B           |  |       |             |               |      |
| QUALITY CONTROL: |  | DATED: |  |             |  |       |             |               |      |
| RELEASED:        |  | DATED: |  | SCALE:      |  |       |             | SHEET: 2 of 3 |      |

D

D

C

C

B

B

A

A

6

5

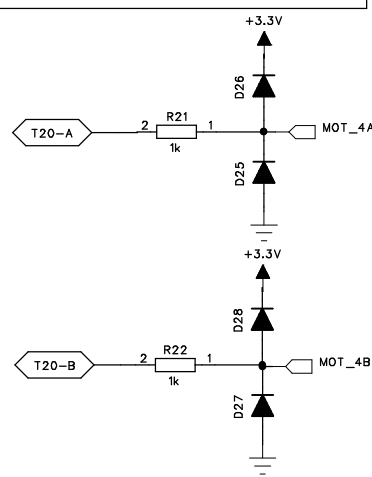
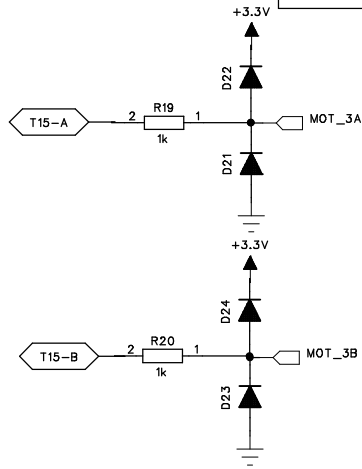
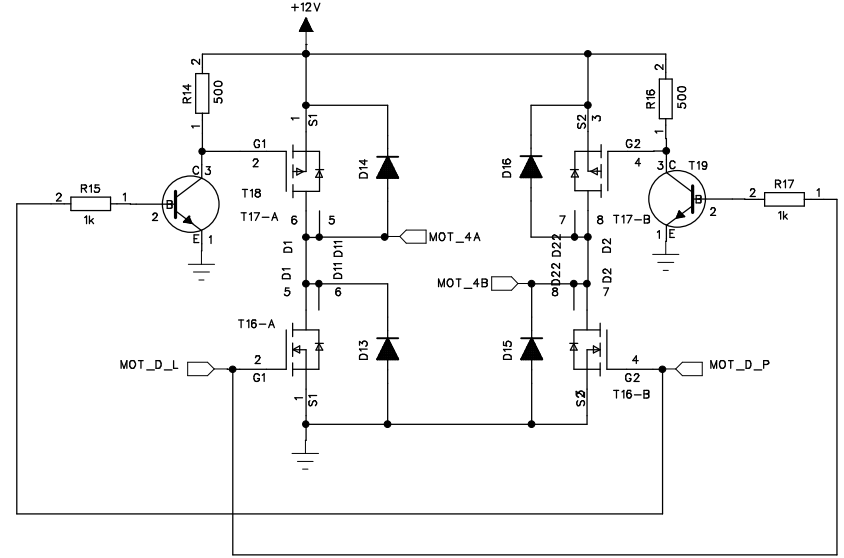
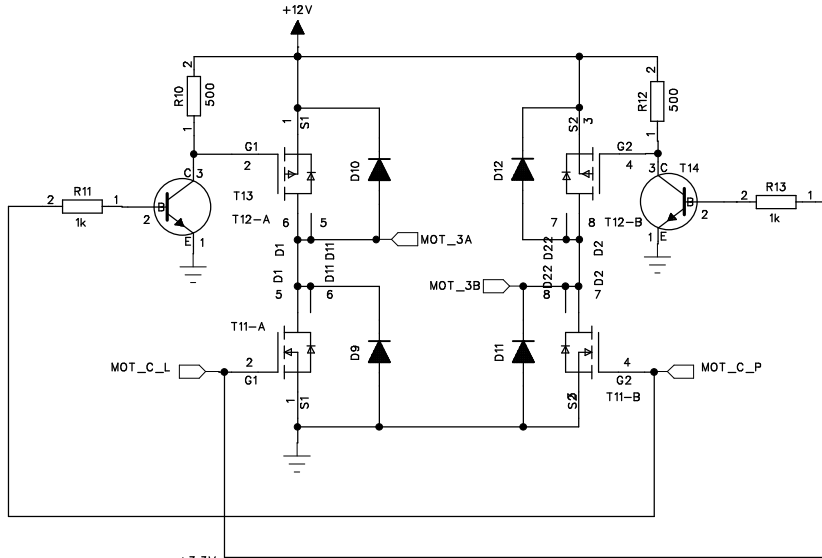
4

3

2

1

| REVISION RECORD |         |           |       |
|-----------------|---------|-----------|-------|
| LTR             | ECO NO: | APPROVED: | DATE: |
|                 |         |           |       |
|                 |         |           |       |
|                 |         |           |       |



|                      |         |             |               |
|----------------------|---------|-------------|---------------|
| COMPANY: M. Suchenek |         |             |               |
| TITLE:               |         |             |               |
| CODE:                | SIZE: B | DRAWING NO: | REV:          |
| SCALE:               |         |             | SHEET: 3 OF 3 |

|                  |        |
|------------------|--------|
| DRAWN:           | DATED: |
| CHECKED:         | DATED: |
| QUALITY CONTROL: | DATED: |
| RELEASED:        | DATED: |